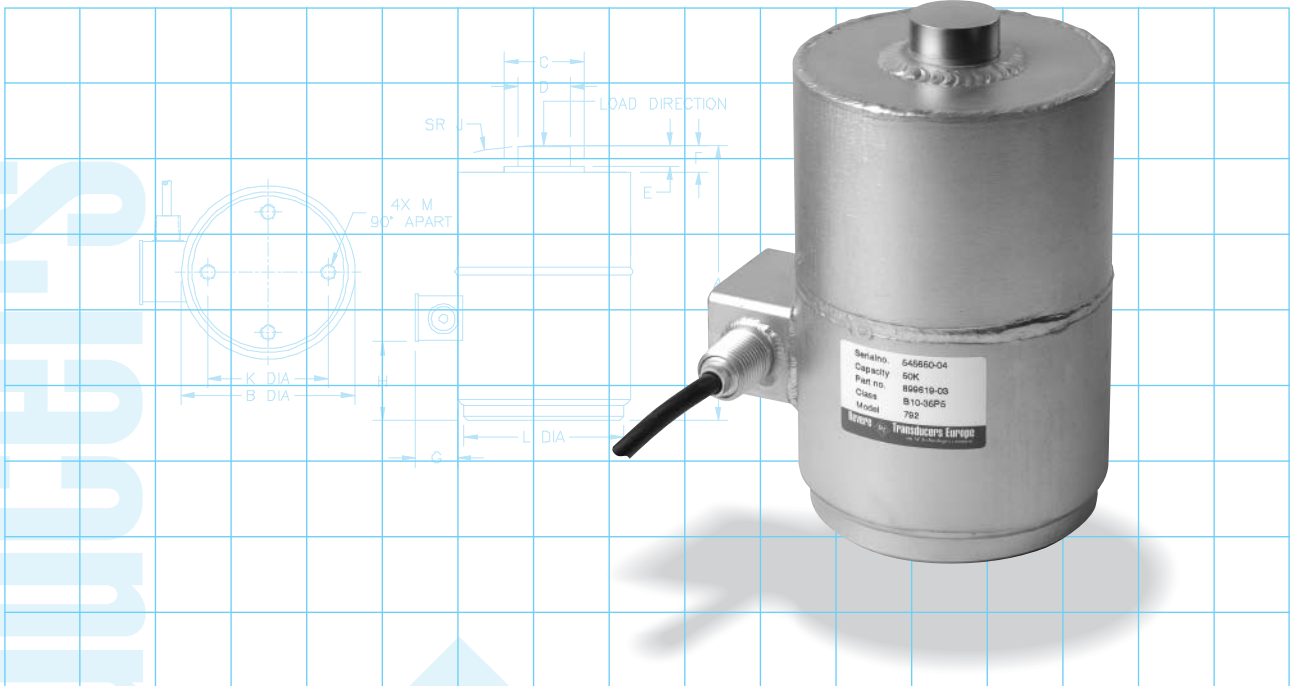


792 COMPRESSION LOAD CELL



FEATURES:

- Capacities: 50 to 200 K lbs
- Environmental protection: IP68 (DIN 40.050)
- Material: Stainless Steel
- Hermetically sealed

DESCRIPTION:

The 792 canister is designed for compression applications. Its stainless steel construction combined with hermetically sealing allows the 792 to be used in harsh environments.

Built for heavy capacity weighing applications where accuracy and reliability are required over long periods of time.

Hermetic sealing offers excellent protection from moisture and provides long-term stability and reliability.

APPLICATIONS:

- Silos, Tanks and Hoppers
- Suspended Silos, Tanks and Hoppers
- Railroad Scales
- Weighbridges

APPROVALS:



Class III 10000d



Factory Mutual

792: SPECIFICATIONS

Parameter	Symbol	Unit of Measure	Specification
			Imperial
Capacities	E_{max}	lb	50K, 100K, 200K
Accuracy Class			B10
Accuracy Class According to			NTEP
Potentially Explosive Atmospheres options			Factory Mutual
Maximum number of Verification Intervals	n_{ic}		10000 d
Minimum Verification Interval	V_{min}		1.6, 3.3, 6.6
Combined Error ¹	n	±%S	0.02
Creep error (20 minutes)		±%S	0.03
Temperature Effect on Zero	TC_0	±%FS/5°C (1°F)	0.0090 (0.0010)
Temperature Effect on Output	TC_S	±%S/5°C (1°F)	0.0072 (0.0008)
Rated Output	FS	mV/V	2 ± 0.002
Compensated Temperature Range	T_{cps}	°C (°F)	-10 to +40 (+14 to +104)
Operating Temperature Range	T_{opr}	°C (°F)	-53 to +93 (-65 to +200)
Environmental Protection			IP68
Cable Length		m (ft)	10.7 (35)
Cable Type			4 Wire shielded, Shield is not connected to load cell body
Zero Balance		±%FS	10.0
Safe Load Limit	E_{lim}	% E_{max}	200
Ultimate Load	E_{ult}	% E_{max}	300
Safe Side Load Limit		% E_{max}	10
Excitation Voltage		Volts AC or DC	10 Recommended, 15 Maximum
Input Resistance		Ohms	350.0 ± 3.5
Output Resistance		Ohms	350.0 ± 3.5
Insulation Resistance at 50 VDC		Mega Ohms	>5000
Element Material		ASTM	Stainless steel

Notes:

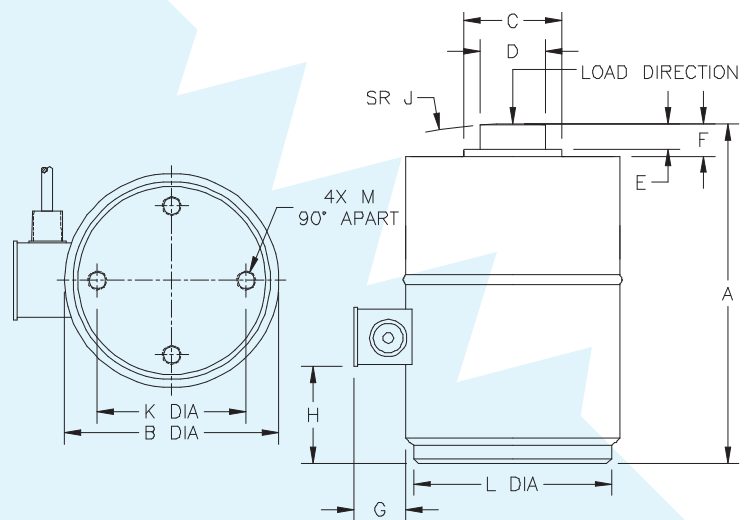
- We continually improve our products and therefore specifications are subject to change without notice.
- The accuracy may be affected if 4-wire load cell cables are shortened.

[1] Includes the effects of Non-Linearity and Hysteresis.

Wiring color code:

Excitation +	Green
Excitation -	Black
Output +	White
Output -	Red
Shield	Transparent

Dimensions in inches			
Capacity	50K	100K	200 K
A	7.50	9.13	11.63
B	4.50	5.75	7.50
C	1.77	2.65	3.15
D	1.25	1.75	2.50
E	0.58	0.88	0.80
F	0.75	1.05	0.97
G	1.25	1.40	1.34
H	1.12	1.33	2.53
J	6.00	12.00	12.00
ØK	2.38	4.00	5.50
L	4.18	5.31	6.81
ØM	3/8-24 UNF-2B	1/2-20 UNF-2B	5/8-18 UNF-2B



Mounting:

Correct mounting of the load cells is essential to ensure optimum accuracy and performance. Further information is available on request.

Mount available for 792.

Attention: All dimension tolerances according to ISO 2768m, unless otherwise specified.

REVERE TRANSDUCERS EUROPE
 Ramshoorn 7
 4824 AG Breda
 The Netherlands
 Tel.: (+11) 76 5412854
 Fax: (+31) 76 5480700
 E-mail: info@revere.nl
 www.revere.nl

REVERE TRANSDUCERS INC.
 14192 Franklin Avenue
 Tustin, CA 92780-7016
 U.S.A.
 Tel.: (+1) 714.731.1234
 Fax: (+1) 714.731.2019
 E-mail: info@reveretransducers.com
 www.reveretransducers.com