

Low Profile Platform Cell



FEATURES

- Rated capacities of 10 to 200 pounds
- Stainless steel construction
- Moment-compensated design for minimal sensitivity to moments induced by off-center loading
- *Sensorgage*™ sealed to IP67 standards
- Factory Mutual System Approved for Classes I, II, III; Divisions 1 and 2; Groups A through G. Also, non-incendive ratings (No barriers!).

DESCRIPTION

The 60051 is a low profile high precision, stainless steel, single point platform load cell.

This product's low profile makes it ideal for many low to mid range capacity weighing applications where space is at a premium. This load cell is most commonly used in platform scales, but can be adapted for use in many process weighing applications.

The stainless steel construction and IP67 sealing make this load cell ideal for very

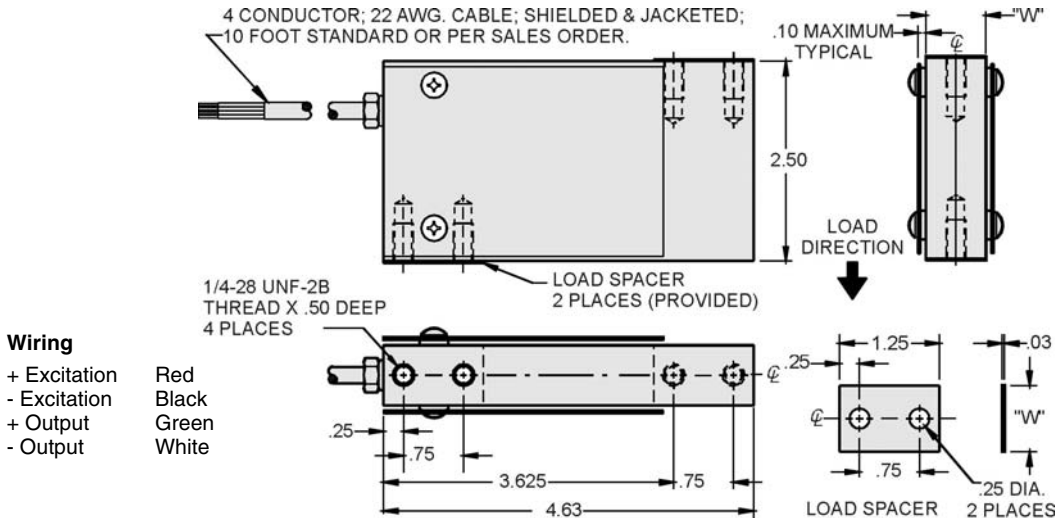
harsh environment applications. This load cell is specifically designed for use in corrosive and wet environments that are not appropriate for common aluminum load cells.

This product is rated intrinsically safe by the Factory Mutual System (FM); making it suitable for use in potentially explosive environments.

APPLICATIONS

- Single-point platform scales
- Bench, counting and deli scales
- Checkweighing scales
- Hopper scales and netweighing

OUTLINE DIMENSIONS in inches





SPECIFICATIONS

| PARAMETER | VALUE | | UNIT |
|-----------------------------------|--------------------------|--------------------|-----------------|
| Rated capacity-R.C. (E_{max}) | 10, 15, 25, 50, 100, 200 | | lbs |
| NTEP/OIML Accuracy class | Standard | | |
| Maximum no. of intervals (n) | -- | | |
| Rated output-R.O. | 2.0 | | mV/V |
| Rated output tolerance | +0.25...-10 | | ±% mV/V |
| Zero balance | 1.0 | | ±% FSO |
| Combined error | 0.03 | | ±% FSO |
| Non-repeatability | 0.01 | | ±% FSO |
| Creep error (20 minutes) | 0.03 | | ±% FSO |
| Temperature effect on zero | 0.0015 | | ±% FSO/°F |
| Temperature effect on output | 0.0008 | | ±% of load/°F |
| Compensated temperature range | 14 to 104 (-10 to 40) | | °F (°C) |
| Operating temperature range | 0 to 150 (-18 to 65) | | °F (°C) |
| Storage temperature range | -60 to 185 (-50 to 85) | | °F (°C) |
| Maximum safe central overload | 150 | | % of R.C. |
| Ultimate central overload | 300 | | % of R.C. |
| Excitation, recommended | 10 | | Vdc or Vac rms |
| Excitation, maximum | 15 | | Vdc or Vac rms |
| Input impedance | 380 - 450 | | Ω |
| Output impedance | 349 - 355 | | Ω |
| Insulation resistance at 50VDC | >1000 | | MΩ |
| Material | Stainless steel | | |
| Environmental protection | IP67 | | |
| Moment compensation | 10 - 25lbs | 50 - 200lbs | |
| Moment sensitivity | 0.015 | 0.100 | ±% of load/inch |
| Maximum moment | 5 x capacity | 6 x capacity | lbs-inches |
| Platform size | 8 x 10 | 12 x 12 | inches |

FSO - Full Scale Output

All specifications subject to change without notice.

VISHAY TRANSDUCERS (VT) SALES OFFICES

VT Americas
 City of Industry, CA
 PH: +1-626-858-8899
 FAX: +1-626-332-3418
 vt.us@vishaymg.com

VT Netherlands
 Breda
 PH: +31-76-548-0700
 FAX: +31-76-541-2854
 vt.nl@vishaymg.com

VMG UK
 Basingstoke
 PH: +44-125-646-2131
 FAX: +44-125-647-1441
 vt.uk@vishaymg.com

VMG Israel
 Netanya
 PH: +972-9-863-8888
 FAX: +972-9-863-8800
 vt.il@vishaymg.com

VMG Germany
 Heilbronn
 PH: +49-7131-3901-260
 FAX: +49-7131-3901-2666
 vt.de@vishaymg.com

VT China
 Tianjin
 PH: +86-22-2835-3503
 FAX: +86-22-2835-7261
 vt.prc@vishaymg.com

VMG France
 Chartres
 PH: +33-2-37-33-31-20
 FAX: +33-2-37-33-31-29
 vt.fr@vishaymg.com

VT Taiwan*
 Taipei
 PH: +886-2-2696-0168
 FAX: +886-2-2696-4965
 vt.roc@vishaymg.com
 *Asia except China



Notice

Specifications of the products displayed herein are subject to change without notice. Vishay Intertechnology, Inc., or anyone on its behalf, assumes no responsibility or liability for any errors or inaccuracies.

Information contained herein is intended to provide a product description only. No license, express or implied, by estoppel or otherwise, to any intellectual property rights is granted by this document. Except as provided in Vishay's terms and conditions of sale for such products, Vishay assumes no liability whatsoever, and disclaims any express or implied warranty, relating to sale and/or use of Vishay products including liability or warranties relating to fitness for a particular purpose, merchantability, or infringement of any patent, copyright, or other intellectual property right.

The products shown herein are not designed for use in medical, life-saving, or life-sustaining applications. Customers using or selling these products for use in such applications do so at their own risk and agree to fully indemnify Vishay for any damages resulting from such improper use or sale.