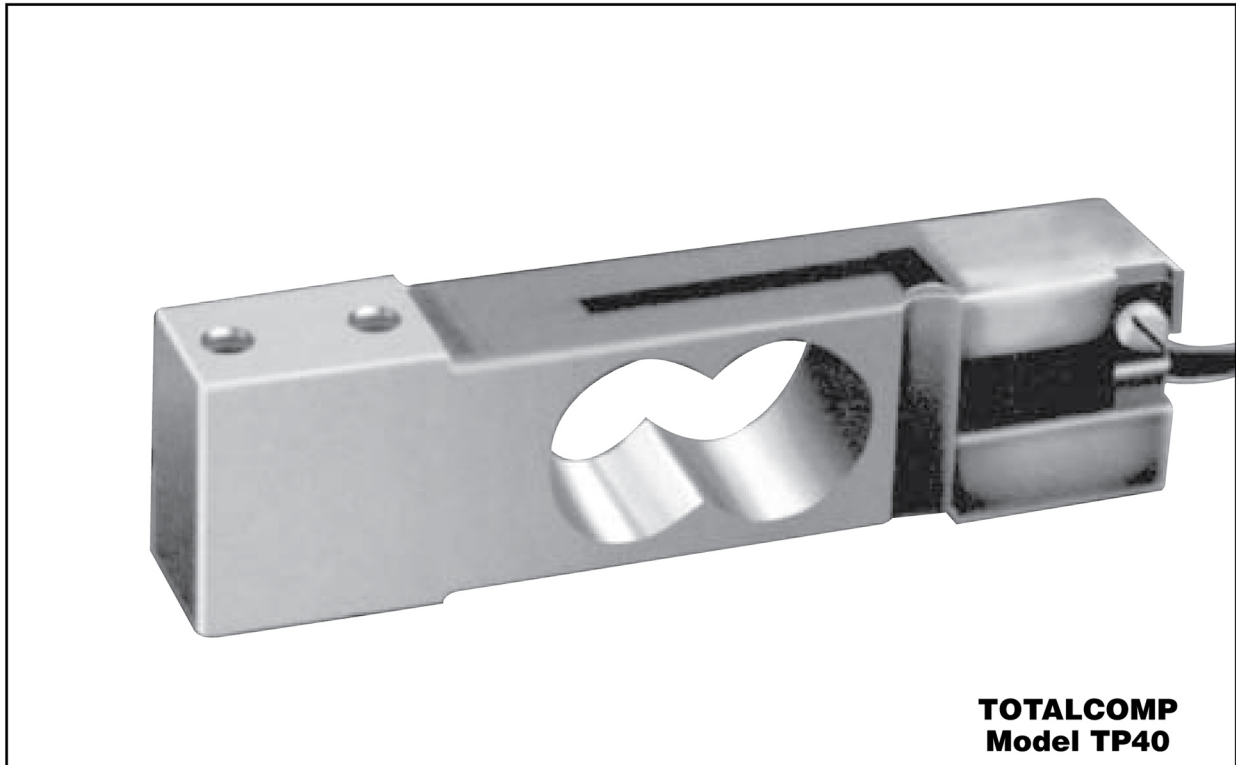


TP40

PLATFORM LOAD CELLS



**TOTALCOMP
Model TP40**

Top Quality Platform Load Cells from Totalcomp.

- ✓ **This low cost, high quality load cell is a superior value.**
- ✓ **7, 10, 15, 20, 30, 50, 75, & 100kg capacities.**
- ✓ **Aluminum or Stainless Steel Construction.**
- ✓ **Optional NTEP 3000d & OIML C3 Classes.**
- ✓ **Environmentally Sealed.**
- ✓ **10 ft. six conductor cable.**

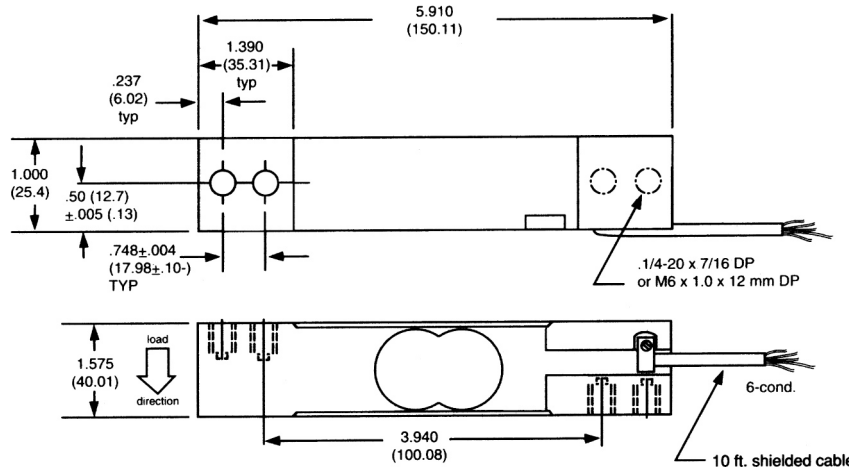


Totalcomp[®] Scales & Components

99 Reagent Lane • Fair Lawn, New Jersey 07410

Fax: 201-797-2287 • Toll Free Fax: 888-797-2288 • Phone: 201-797-2718 • Toll Free Phone: 800-631-0347

Email: sales@totalcomp.com • Website: www.totalcomp.com



Model TP40

PLATFORM LOAD CELL

The *Totalcomp* TP40 Series Platform Load cells are top quality, environmentally sealed units. The environmentally sealed stainless steel housing provides protection when used in areas where foreign particles and/or corrosive substances are present.

Aluminum

Nominal	Weight	Part Number	Capacity
TP40-7kg	7 kg.	15 lb.	1 lb.
TP40-10kg	10kg.	20 lb.	1 lb.
TP40-15kg	15 kg.	30 lb.	1 lb.
TP40-20kg	20 kg.	40 lb.	1 lb.
TP40-30kg	30 kg.	60 lb.	1 lb.
TP40-50kg	50 kg.	100 lb.	1 lb.
TP40-75kg	75 kg.	150 lb.	1 lb.

Stainless Steel

Nominal	Weight	Part Number	Capacity
TP40-7kg-SS	7 kg.	15 lb.	3 lb.
TP40-10kg-SS	10kg.	20 lb.	3 lb.
TP40-15kg-SS	15 kg.	30 lb.	3 lb.
TP40-20kg-SS	20 kg.	40 lb.	3 lb.
TP40-30kg-SS	30 kg.	60 lb.	3 lb.
TP40-50kg-SS	50 kg.	100 lb.	3 lb.
TP40-75kg-SS	75 kg.	150 lb.	3 lb.

Performance

Full Scale Output
2.00 mV/V

Combined Error
±0.05% FS

Nonlinearity
±0.03% FS

Hysteresis
±0.05%

Creep
±0.025% FS in 30 min

Non-Repeatability
±0.01% FS

Zero Balance
±5.0% FS

Overload, Safe

150% FS

Overload, Ultimate
300% FS

Electrical

Bridge Resistance
Input 350 ohms
Output 350 ohms

Excitation Voltage
10VDC (15VDC Max)

Insulation Resistance
5KM ohms@50VDC

Temperature

Compensated Range
-10°C to +40°C

Temperature Operating Range
-10°C to +40°C

Effect on Zero Balance
0.0028% FS/deg C

Effect on FS Output
0.0028% FS/deg C

Mechanical

Material
Aluminum or
Stainless Steel

Finish
Anodized or
Polished Stainless Steel

Sealing
IP65

Wiring

Cable Length & Type
10 foot, 6 conductor

Cable Color Code
+ Excitation Green
- Excitation Black
+ Sense Orange
- Sense Blue
+ Output White
- Output Red
Shield Yellow

TOTALCOMP LIMITED WARRANTY

Totalcomp warrants this product to be free of defects in materials and/or workmanship and suitable for the purpose(s) intended as outlined on this sheet. This warranty is effective and shall cover the purchaser for one year from the date of shipment from our plant. If this product is found to be defective by our inspection in accordance with the above listed criteria, we will replace or repair it at our expense. For warranty service, please obtain a return authorization number from us and return the item, shipping prepaid, with a written description of the problem. We will respond promptly with the results of our evaluation.



Totalcomp®

Scales & Components

99 Reagent Lane

Fair Lawn, NJ 07410

Fax (201) 797-2287

Toll Free Fax (888) 797-2288

Phone (201) 797-2718

Toll Free Phone (800) 631-0347

Email sales@totalcomp.com

Website www.totalcomp.com