

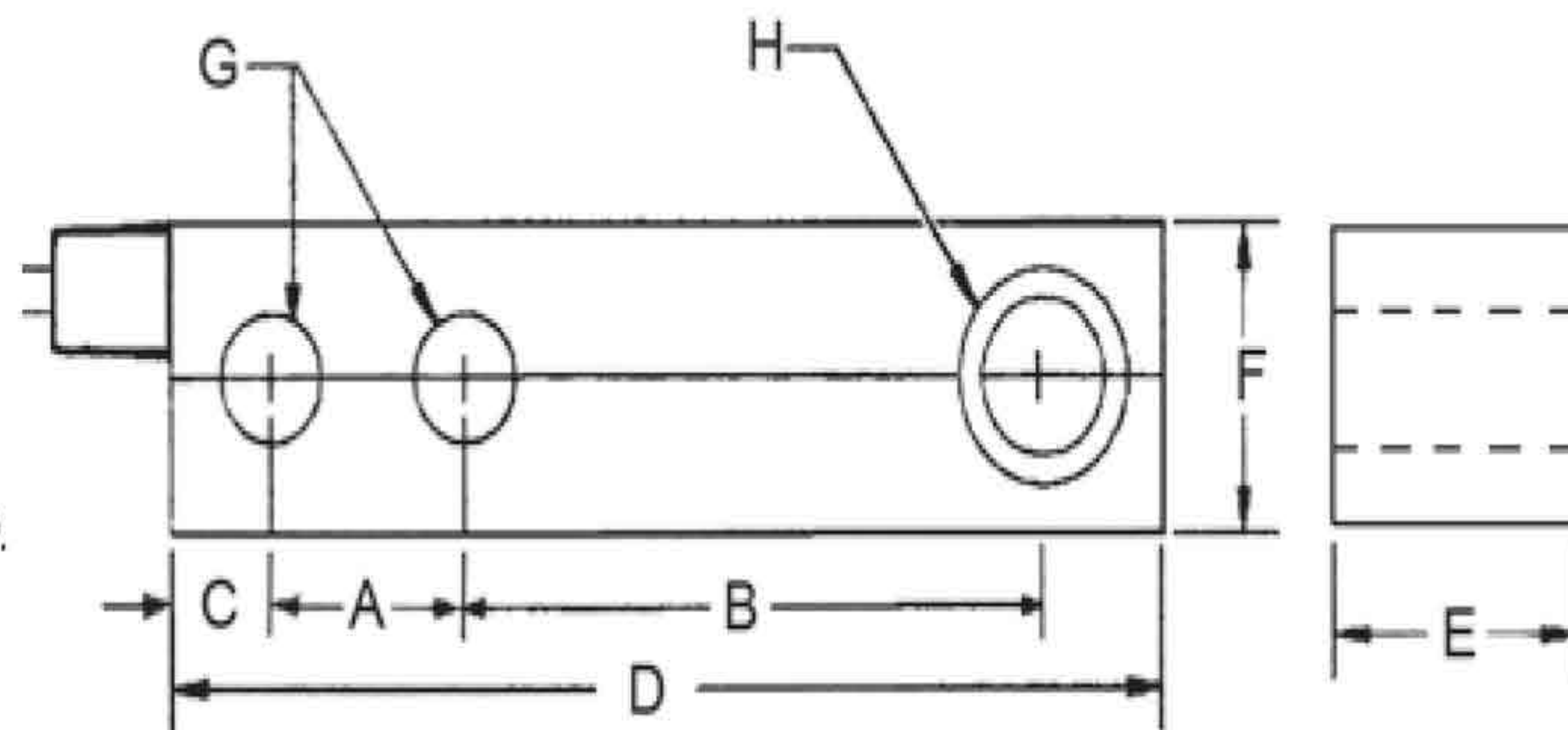
DSB-SSH/SSP shear beam load cell



High Quality, Affordable Stainless Steel Shear Beam

**Hermetically Sealed Interchangeable load cell for
65023-SS 9123, H35,
TBH35, CG-23-SS, SS30310, RL65023 and many others**

Full Scale Output 3.00 mV/V	Bridge Resistance Input 380ohms	Element Material/Finish: Stainless Steel
Combined Error ±0.03% FS	Output 350ohms	Sealing IP67
Nonlinearity 0.02% FS	Excitation Voltage 10VDC (20VDC Max)	Cable Length & Type: 20 foot, 4 conductor, shielded cable.
Hysteresis ±0.02%	Insulation Resistance 5000Mohms	
Creep ±0.02% FS in 1 hour	Compensated Range -10°C to +50°C	
Non-Repeatability ±0.01% FS	Temperature Operating Range -20°C to +60°C	
Zero Balance ±1.0% FS	Effect on Zero Balance <20 PPM/°C of Applied Load	
Overload Safe 150% FS	Effect on FS Output <20 PPM/°C of Applied Load	
Overload Ultimate 300% FS	Cable Color Code:	
	Red.....+ Excitation	
	Black.....- Excitation	
	Green.....+ Signal	
	White.....- Signal	
	Bare.....Shield	



DSB-SSH DIAMOND BEAM LOAD CELL

Part Number	Capacity	Weight	A	B	C	D	E	F	G	H
*DSB-250-SSP	250 lb	3 lb	1.00	3.00	0.60	5.12	1.25	1.25	0.53	1/2-20UNF
*DSB-500-SSP	500 lb	3 lb	1.00	3.00	0.60	5.12	1.25	1.25	0.53	1/2-20UNF
DSB-1K-SSH	1,000 lb	3 lb	1.00	3.00	0.60	5.12	1.25	1.25	0.53	1/2-20UNF
DSB-1.5K-SSH	1,500 lb	3 lb	1.00	3.00	0.60	5.12	1.25	1.25	0.53	1/2-20UNF
DSB-2K-SSH	2,000 lb	3 lb	1.00	3.00	0.60	5.12	1.25	1.25	0.53	1/2-20UNF
DSB-2.5K-SSH	2,500 lb	3 lb	1.00	3.00	0.60	5.12	1.25	1.25	0.53	1/2-20UNF
DSB-4K-SSH	4,000 lb	3 lb	1.00	3.00	0.60	5.12	1.25	1.25	0.53	1/2-20UNF
DSB-5KSE-SSH	5,000 lb	3 lb	1.00	3.00	0.60	5.12	1.25	1.25	0.53	1/2-20UNF
DSB-5K-SSH	5,000 lb	5 lb	1.50	3.75	0.75	6.75	1.50	1.50	0.78	3/4-16UNF
DSB-10K-SSH	10,000 lb	5 lb	1.50	3.75	0.75	6.75	1.50	1.50	0.78	3/4-16UNF
DSB-20K-SSH	20,000 lb	9 lb	2.00	4.88	1.00	8.75	2.00	2.00	1.03	1-14UNF

*250 & 500 lb Stainless Steel potted only

**Scales & Weighing Solution LLC,
45 Whitney Road, Mahwah N.J. 07430
Tel.: 800-989-9518 / 201-847-0500
Cell : 201-674-5761**