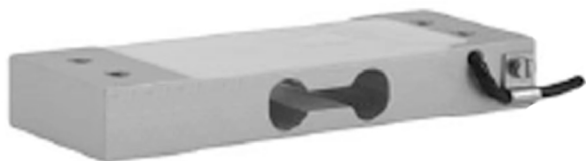




## Single Point Aluminum Load Cell

# GS1022



### FEATURES

- Capacity range: 3-30kg
- Only 22 mm high
- Aluminum construction
- Single point 350 x 350mm platform
- IP66 protection

### DESCRIPTION

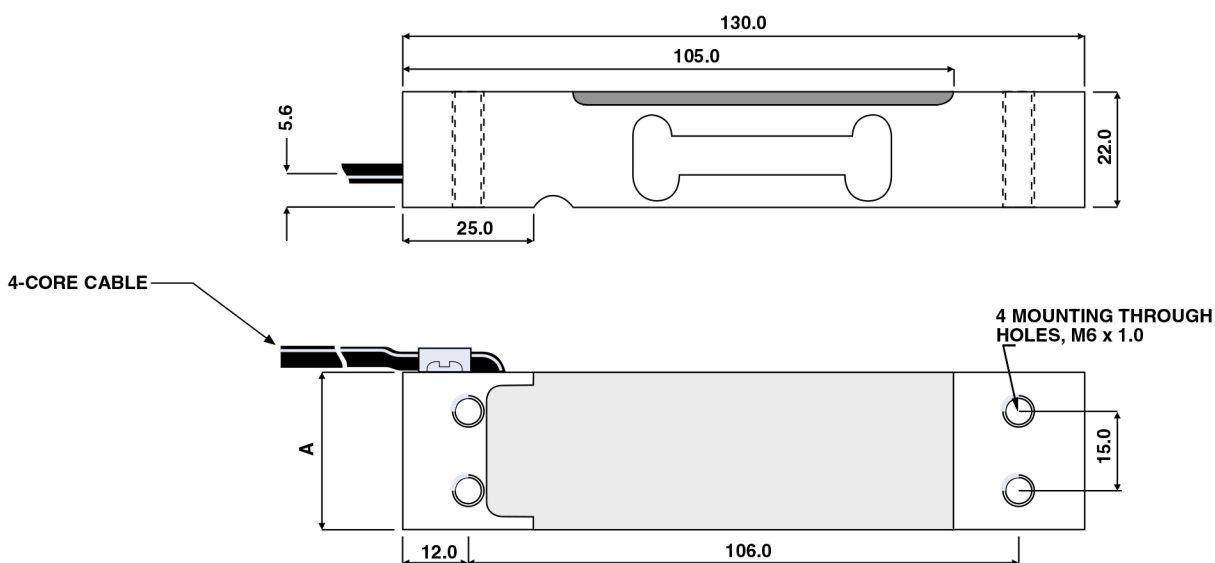
low profile single point load cell designed for direct mounting in low cost weighing platforms.

Its small physical size, combined with high accuracy and aluminum construction, makes this low cost load cell ideally suited for retail, bench and counting scales.

### APPLICATIONS

- Bench scales
- Counting scales
- Grocery scales

### OUTLINE DIMENSIONS in millimeters



3kg with M3 thread only 2.72" long  
10kg-30kg M6 thread

CAPACITY	A
3	25.4
10, 15, 20, 30kg	30.0