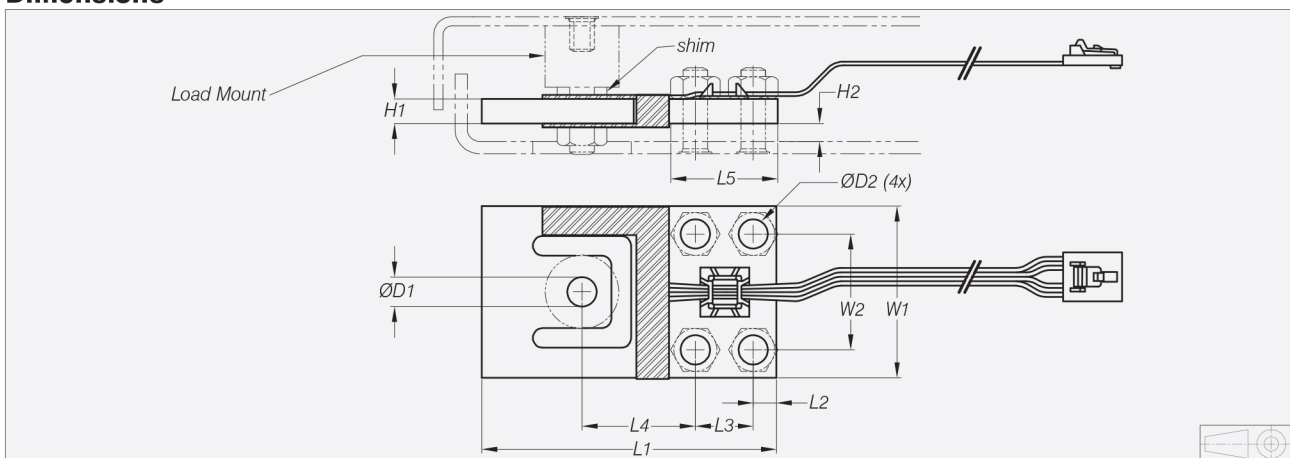


PB Specifications

Maximum capacity (=E _{max})	kg	3.75 / 7.5 / 15 / 37.5 / 75 / 150 / 375	
Recommended scale capacity (Max = 400% E _{max})	kg	6 / 15 / 30 / 60 / 150 / 300 / 600	
Rated Output (=RO)	mV/V	1 ± 10%	0.9 ± 0.1%
Calibration in mV/V/Ω	%RO	n.a.	≤ ± 0.05
Accuracy class according to OIML R 60		(GP)	C3
Maximum number of verification intervals (n)		n.a.	3000
Minimum load cell verification interval (V _{min})		n.a.	E _{max} /7500
Combined error	%RO	≤ ± 0.040	≤ ± 0.020
Creep error (30 minutes) / DR	%RO	≤ ± 0.060	≤ ± 0.016
Temperature effect on minimum dead load output	%RO/°C	≤ ± 0.0040	≤ ± 0.0018
Temperature effect on sensitivity	%/°C	≤ ± 0.0020	≤ ± 0.0011
Excitation voltage	V	5...15	
Zero balance	%RO	≤ ± 5.0	
Input resistance	Ω	1190 ± 10	
Output resistance	Ω	1000 ± 10	
Insulation resistance (100 V DC)	MΩ	≥ 5000	
Compensated temperature range	°C	-10...+40	
Operating temperature range	°C	-10...+65	
Safe load limit	%E _{max}	300	
Ultimate load	%E _{max}	400	
Safe side load	%E _{max}	200	
Load cell material		aluminium	
Sealing		environmentally sealed	
Protection according DIN 40.050		IP 65	

Dimensions



Type	L1	L2	L3	L4	L5	W1	W2	H1	H2(min)	D1	D2	Deflection (mm) at Maximum capacity
PB-3.75 kg-RH	70	4.9	14	28	23.7	39	27.8	2	3	5.1	5.1	0.46
PB-7.5 kg-RH	70	4.9	14	28	23.7	39	27.8	2.5	3	5.1	5.1	0.40
PB-15 kg-RH	70	4.9	14	28	23.7	39	27.8	4.1	4.5	7.6	5.1	0.27
PB-37.5 kg-RH	76.2	6	15	29.3	27	44.5	30	4.8	5	7.6	6.6	0.36
PB-75 kg-RH	84.4	6.4	15	34	27.7	54.8	30	6.4	5	7.6	6.6	0.35
PB-150 kg-RH	107.3	7.8	22.9	45.9	38.4	69.9	44.5	7.9	6	9.1	8.1	0.56
PB-375 kg-RH	119.4	9.1	25.4	52.6	43.7	76.1	50.8	12.7	6	9.1	9.8	0.68

All dimensions in mm. Dimensions and specifications are subject to change without notice.

Wiring

- The load cell is provided with a 4 conductor ribbon cable and with AMP #103957-4 connector.
- Cable length: 1.0 m for 3.75/7.5/15 kg,
1.5 m for 37.5/75/150/375 kg.

A special Junction Box, Type KPB-4 is available.

