



Spherical Washer Beam Mounting Assembly (without load cell)

- FEATURES:**

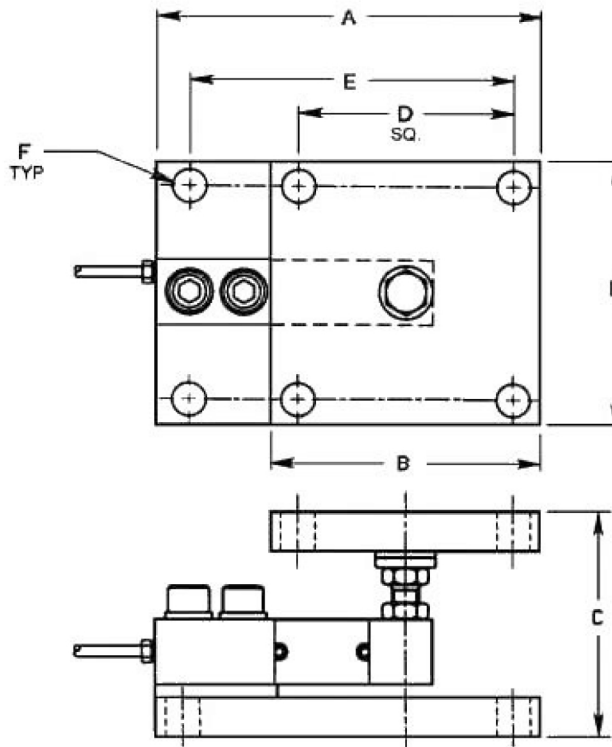
- Capacities from 250 - 20,000 lb
- Articulating Mounting Plate
- Low Profile design
- Plated or Stainless Steel Construction
- Ideal for Tank, Bin, Hopper weighing
- Integral height adjustment for balancing
- Adjustable under load

Capacity	A	B	C	D	E	F	Part Number Zinc Plated steel	Part Number Stainless Steel
250 -5,000SE lb	7.12	5.0	4 - 4.5	4.0	6.0	.63	TSWM-4K	TSWM-4K-SS
5000 – 10,000 lb	8.50	5.0	5 - 5.5	4.0	7.0	.63	TSWM-10K	TSWM-10K-SS
15,000 – 20,000 lb	8.50	5.0	5 - 5.5	4.0	7.0	.63	TSWM-20K-14 * TSWM-20K-12 **	TSWM-20K-14-SS* TSWM-20K-12-SS **

* Note: TSB-20K, NSB-20K, 65023-20K has 1-14 thread (same for Stainless Steel)

** Note: 9123-20K, 5123-20K has 1-12 thread

Dimensions in Inches



Scales & Weighing Solution LLC

115 Parker Ave, Hawthorne, NJ 07506 ph.:201-674-5761

<https://theloadcelldepot.com>